

Aquia® Close Coupled Toilet, 1.6GPF & 0.9GPF

FEATURES

- Dual-Max® flushing system, low consumption (1.6GPF/6.0LPF & 0.9GPF/3.4LPF)
- Elongated skirt
- Universal Height
- Close coupled, elongated front bowl and tank set, less toilet seat
- Dual flush option
- Chrome push-button
- 12" rough-in

MODELS

- CST414M

COMPONENTS

- CT414 - Elongated Front Bowl
- ST413M - Tank and Cover only
- SS114 SoftClose® seat (sold separately)
- SS154 SoftClose® seat (sold separately)
- SS204 SoftClose® seat (sold separately)

COLORS/FINISHES

- Standard
#11 Colonial White
#51 Ebony

PRODUCT SPECIFICATION

The two-piece low consumption Dual-Max flushing system toilet shall be 1.6GPF/0.9GPF. Toilet shall have high-profile tank, elongated front bowl and chrome push-button type trip lever. Toilet shall be TOTO Model CST412MF ____.



DUAMAX®
FLUSHING SYSTEM BY TOTO

CODES/STANDARDS

- Meets and exceeds ASME A112.19.2/CSA B45.1, ASME A112.19.14
- Certifications: IAPMO(cUPC), EPA Watersense, State of Massachusetts, City of Los Angeles, and others
- Code compliance: UPC, IPC, NSPC, NPC Canada, and others
- Legislative compliance: California AB715, California Green Building Code, City of Los Angeles Water Efficiency Ordinance



CST414M

Aquia® Close Coupled Toilet, 1.6GPF & 0.9 GPF

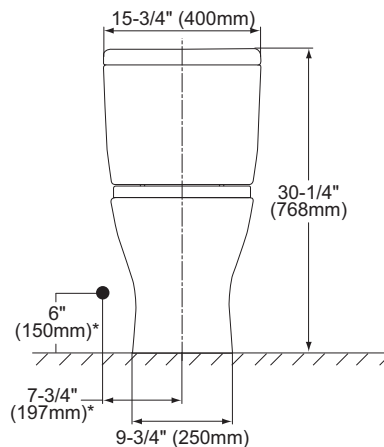
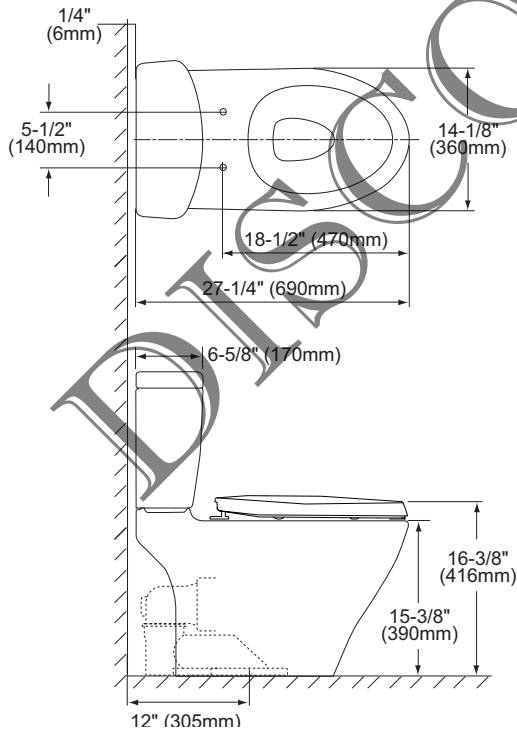
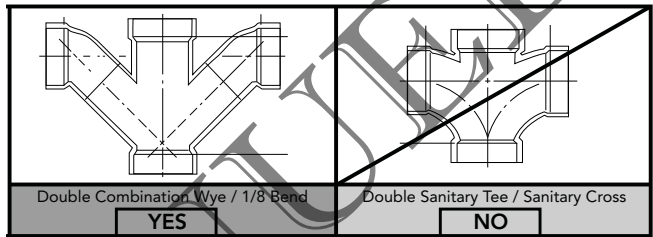
SPECIFICATIONS

- Water Use 1.6 GPF/0.9GPF (6.0 LPF/3.4LPF)
- Flush System Dual-Max®
- Min. Water Pressure 8 psi (static)
- Water Surface 6" x 4-3/8"
- Trap Diameter 2-1/8"
- Rough-in 12"
- Trap Seal 2-1/8"
- Warranty One Year Limited Warranty
- Material Vitreous china
- Shipping Weight CT414 - 70.4lbs
ST413M - 27.2lbs
- Shipping Dimensions CT414
30"L x 15"W x 18-1/2"H

ST413M
16"L x 7-1/2"W x 15"H

INSTALLATION NOTES

Back-to-Back Toilet Installations:
TOTO recommends the use of a nationally listed, double sanitary tee-wye only, in vertical waste stacks, in accordance with the stipulations noted in the majority of nationally recognized plumbing codes.



TOTO®

These dimensions and specifications are subject to change without notice